

# Band Pass Filter

## OBP-11000-14400

Ocean Microwave band-pass filter (Ocean band-pass filter , abbreviation : OBP) is a filter that allows waves of specific frequency band to pass through while rejecting other frequency bands.

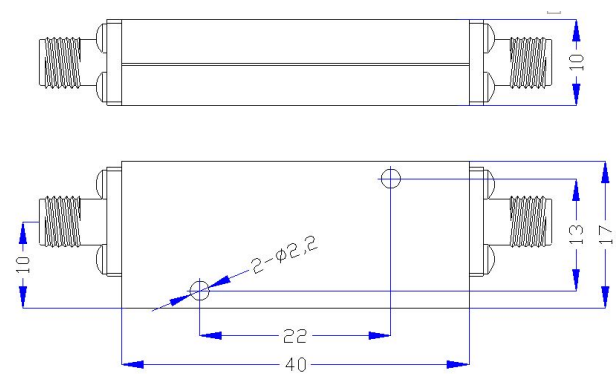
The product name of this Ocean band-pass filter (OBP) is OBP-11000-14400, its Center Frequency(F0) is 11GHz, its Pass Band Bandwidth is 3.8GHz-18.2GHz, its Pass Band Insertion Loss is 1.2dB, and its Pass Band VSWR is 2.0. Its Stop Band frequency is DC-2.6GHz & 19.8-21.5GHz. The Stop Band Rejection is 45dB.



### Electrical Specifications

Pass Band Frequency	3.8 ~ 18.2GHz
Insertion Loss	≤1.2dB
VSWR	≤2.0:1
Rejection	≥60dB @ DC ~ 2.6GHz ≥45dB @ 19.8 ~ 21.5GHz
Power Handling	10W
Surface Finish	Guide Oxygen or Black Paint
Port Connectors	SMA-Female
Net Weight	0.025 KG

### PRODUCT DIMENSIONS



### Test

