

# Cavity Band Pass Filter

## OBP-18000-1000

Ocean Microwave band-pass filter (Ocean band-pass filter , abbreviation : abbreviation : OBP) is a filter that allows waves of specific frequency band to pass through while rejecting other frequency bands.

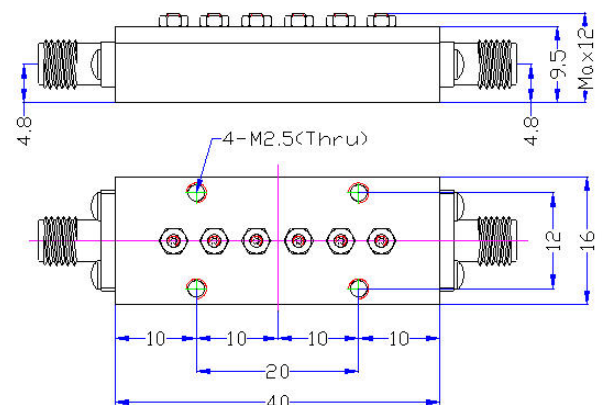
The product name of this Ocean band-pass filter (OBP) is OBP-18000-1000,its Center Frequency(F0) is 18GHz, its Pass Band Bandwidth is 17.5 ~ 18.5GHz, its Pass Band InsertionLoss is≤1.0dB, and its PassBand VSWR is≤1.3:1. Its Stop Band frequency is DC ~ 16GHz、 20 ~ 28GHz. The Stop Band Rejection is:≥45dB



### Electrical Specifications

Center Frequency (F0)	18GHz
Pass Band Frequency	17.5 ~ 18.5GHz
Pass Band Insertion Loss	≤1.0dB
Pass Band VSWR	≤1.3:1
Stop Band Attenuation	≥45dB @ DC ~ 16GHz ≥45dB @ 20 ~ 28GHz
Impedance	50 ohms
Power Handling	≤5W
Connectors	SMA-Female
Surface Finish	Black Paint
Temperature Range	-30°C ~ +70°C
Net Weight	0.045 KG
Configuration	As Below (Size Unit: mm)

### PRODUCT DIMENSIONS



### Test

