

# Cavity Band Pass Filter

## OBP-20000-50

Ocean Microwave band-pass filter (Ocean band-pass filter , abbreviation : abbreviation : OBP) is a filter that allows waves of specific frequency band to pass through while rejecting other frequency bands.

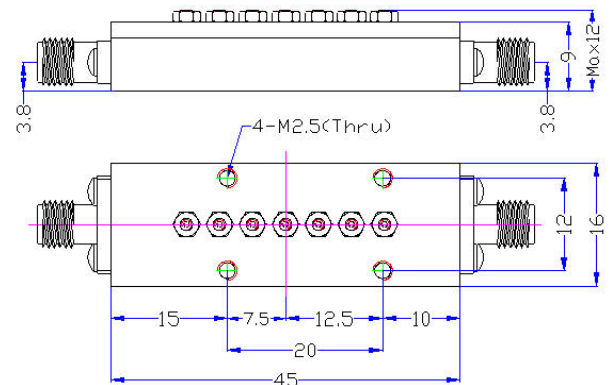
The product name of this Ocean band-pass filter (OBP) is OBP-20000-50 ,its Center Frequency(F0) is 20GHz, its Pass Band Bandwidth is 19.975 ~ 20.025GHz, its Pass Band InsertionLoss is $\leq 2.0$ dB, and its PassBand VSWR is $\leq 1.3:1$ . Its Stop Band frequency is DC ~ 19.5GHz、 20.5 ~ 25GHz. The Stop Band Rejection is: $\geq 30$ dB



### Electrical Specifications

Center Frequency (F0)	20GHz
Pass Band Frequency	50MHz (19.975 ~ 20.025GHz)
Pass Band Insertion Loss	$\leq 2.0$ dB
Pass Band VSWR	$\leq 1.3:1$
Stop Band Rejection	$\geq 30$ dB @ $F_0 \pm 500$ MHz (DC ~ 19.5GHz、 20.5 ~ 25GHz)
Impedance	50 ohms
Power Handling	$\leq 5$ W
Connectors	SMA-Female
Surface Finish	Black Paint
Temperature Range	$-30^{\circ}\text{C} \sim +70^{\circ}\text{C}$
Net Weight	0.05 KG
Configuration	As Below (Size Unit: mm)

### PRODUCT DIMENSIONS



### Test

