

Cavity Band Pass Filter

OBP-27500-1000

Ocean Microwave band-pass filter (Ocean band-pass filter , abbreviation : OBP) is a filter that allows waves of specific frequency band to pass through while rejecting other frequency bands.

The product name of this Ocean band-pass filter (OBP) is OBP-27500-1000 , its Center Frequency(F0) is 27.5GHz,its Pass Band Frequency is 1.0GHz (27 ~ 28GHz),its Pass Band Insertion Loss is $\leq 1.5\text{dB}$,and its Pass Band VSWR is $\leq 1.5:1$. Its Stop Band frequency is 26GHz & 35GHz.

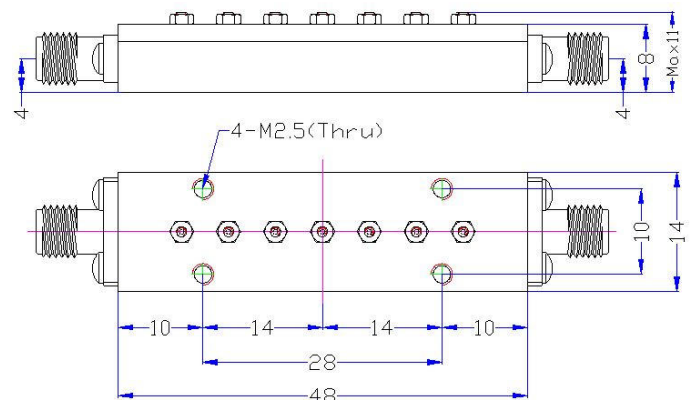
The Stop Band Rejection is $\geq 30\text{dB}$ @ DC ~ 26GHz $\geq 30\text{dB}$ @ 29 ~ 35GHz.



Electrical Specifications

Center Frequency (F0)	27.5GHz
Pass Band Frequency	1.0GHz (27 ~ 28GHz)
Pass Band Insertion Loss	$\leq 1.5\text{dB}$
Pass Band VSWR	$\leq 1.5:1$
Stop Band Rejection	$\geq 30\text{dB}$ @ DC ~ 26GHz $\geq 30\text{dB}$ @ 29 ~ 35GHz
Impedance	50 ohms
Power Handling	$\leq 5\text{W}$
Connectors	2.92mm(K)-Female
Surface Finish	Black Paint
Temperature Range	$-30^{\circ}\text{C} \sim +70^{\circ}\text{C}$
Net Weight	0.0402 KG

PRODUCT DIMENSIONS



Test

