

Cavity Band Pass Filter OBP-28000-3000

Ocean Microwave band-pass filter (Ocean band-pass filter , abbreviation : abbreviation : OBP) is a filter that allows waves of specific frequency band to pass through while rejecting other frequency bands.

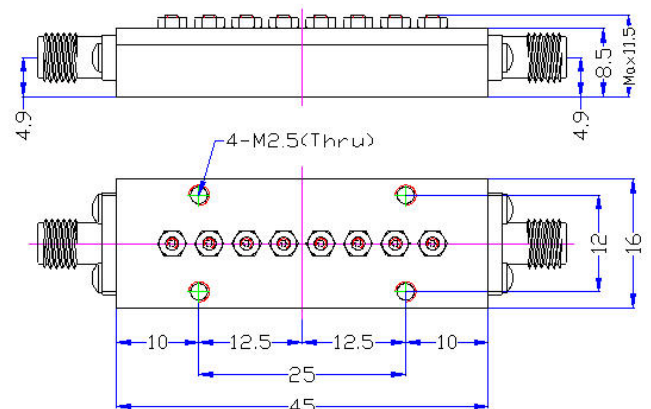
The product name of this Ocean band-pass filter (OBP) is OBP-28000-3000,its Center Frequency(F0) is 28GHz, its Pass Band Bandwidth is 26.5 ~ 29.5GHz, its Pass Band InsertionLoss is≤1.0dB. The Stop Band Rejection is:≥30dB



Electrical Specifications

Center Frequency (F0)	28GHz
Pass Band Frequency	3.0GHz (26.5 ~ 29.5GHz)
Pass Band Insertion Loss	≤1.0dB
Pass Band Return Loss	≥15dB
Stop Band Rejection	≥30dB @ 25GHz ≥30dB @ 31GHz
Impedance	50 ohms
Power Handling	≤10W
Connectors	2.92mm(K)-Female
Surface Finish	Black Paint
Temperature Range	-30°C ~ +70°C
Net Weight	0.045 KG
Configuration	As Below (Size Unit: mm)

PRODUCT DIMENSIONS



Test

