

Dot Frequency Cavity Filter

OBP-31700-40

Ocean Microwave band-pass filter (Ocean band-pass filter , abbreviation : abbreviation : OBP) is a filter that allows waves of specific frequency band to pass through while rejecting other frequency bands.

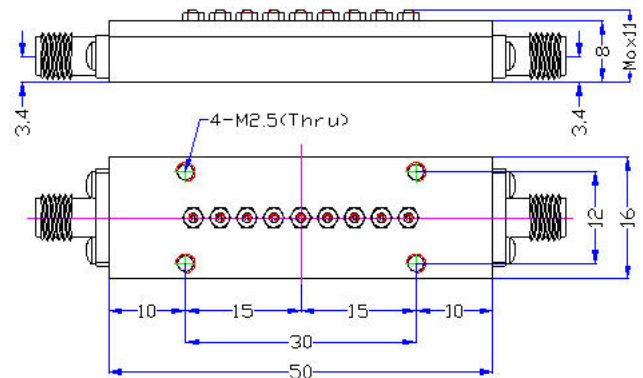
The product name of this Ocean band-pass filter (OBP) is OBP-31700-40,its Center Frequency(F0) is 31.7GHz, its Pass Band Bandwidth is 31680 ~ 31720MHz, its Pass Band InsertionLoss is≤5.0dB,. Its Stop Band frequency is 0 ~ 31600MHz、31800 ~ 41000MHz. The Stop Band Rejection is:≥20dB



Electrical Specifications

Center Frequency (F0)	31700MHz
Pass Band Frequency	40MHz (31680 ~ 31720MHz)
Pass Band Insertion Loss	≤5.0dB
Pass Band VSWR	≤15dB
Stop Band Attenuation	20dB @ 0 ~ 31600MHz ≥20dB @ 31800 ~ 41000MHz
Impedance	50 ohms
Power Handling	≤5W
Connectors	2.92mm(K)-Female
Operating Temperature	+20°C ~ +55°C
Surface Finish	Black Paint
Net Weight	0.05 KG
Configuration	As Below (Size Unit: mm)

PRODUCT DIMENSIONS



Test

