

Cavity Band Pass Filter

OBP-3175-50

Ocean Microwave band-pass filter (Ocean band-pass filter , abbreviation : abbreviation : OBP) is a filter that allows waves of specific frequency band to pass through while rejecting other frequency bands.

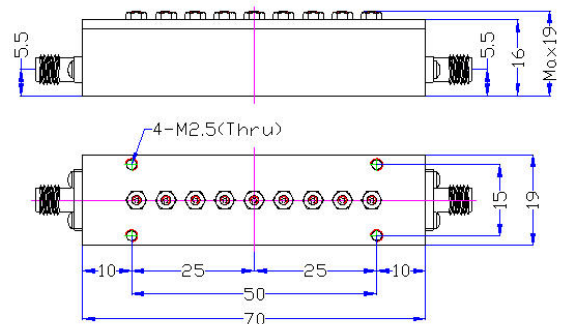
The product name of this Ocean band-pass filter (OBP) is OBP-3175-50,its Center Frequency(F0) is 3175MHz, its Pass Band Bandwidth is 3150 ~ 3200MHz, its Pass Band InsertionLoss is ≤ 2.0 dB, and its PassBand VSWR is $\leq 1.3:1$.



Electrical Specifications

Center Frequency (F0)	3175MHz
Pass Band Frequency	50MHz (3150 ~ 3200MHz)
Pass Band Insertion Loss	≤ 2.0 dB
Pass Band VSWR	$\leq 1.3:1$
Stop Band Rejection	≥ 15 dB @ 3065MHz ≥ 15 dB @ 3285MHz ≥ 75 dB @ DC ~ 2825MHz ≥ 75 dB @ 3625 ~ 10000MHz
Impedance	50 ohms
Power Handling	≤ 5 W
Connectors	SMA-Female
Surface Finish	Black Paint
Temperature Range	0°C ~ +45°C
Net Weight	0.065KG
Configuration	As Below (Size Unit: mm)

PRODUCT DIMENSIONS



Test

