

Cavity Band Pass Filter

OBP-39300-1400

Ocean Microwave band-pass filter (Ocean band-pass filter ,abbreviation : abbreviation : OBP) is a filter that allows waves of specific frequency band to pass through while rejecting other frequency bands.

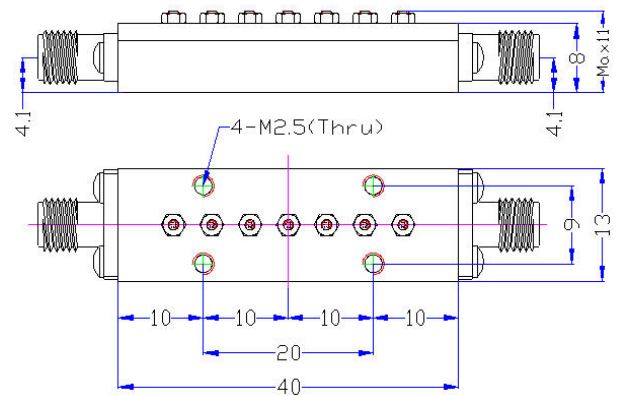
The product name of this Ocean band-pass filter (OBP) is OBP-39300-1400, its Center Frequency(F0) is 39300MHz, its Pass Band Bandwidth is 38600 ~ 40000MHz, its Pass Band Insertion Loss is ≤ 1.8 dB, and its PassBand VSWR is $\leq 1.5:1$. Its Stop Band frequency is $F0 \pm 2000$ MHz. The Stop Band Rejection is ≥ 40 dB



Electrical Specifications

Center Frequency (F0)	39.3GHz
Pass Band Frequency	38.6 ~ 40GHz
Pass Bands Insertion Loss	≤ 1.8 dB
Pass Bands VSWR	$\leq 1.5:1$
Stop Band Rejection	≥ 40 dB @ $F0 \pm 2.0$ GHz (37.3GHz 、 41.3GHz)
Impedance	50 ohms
Power Handling	≤ 5 W
Connectors	2.92mm-Female
Surface Finish	Black Paint
Operating Temperature	-30 °C ~ +70 °C
Net Weight	0.035 KG
Configuration	As Below (Size Unit: mm)

PRODUCT DIMENSIONS



Test

