

# Cavity Band Pass Filter OBP-5712-40

Ocean Microwave band-pass filter (Ocean band-pass filter , abbreviation : OBP) is a filter that allows waves of specific frequency band to pass through while rejecting other frequency bands.

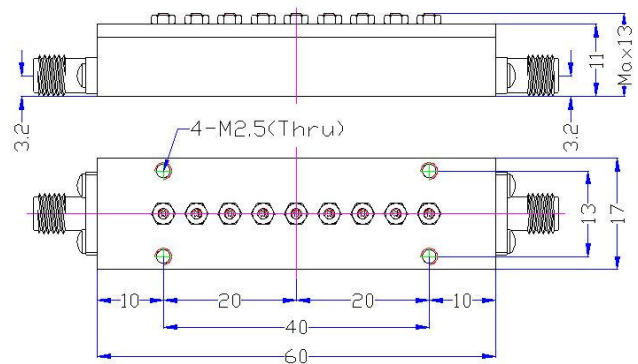
The product name of this Ocean band-pass filter (OBP) is OBP-5712-40, its Center Frequency(F0) is 5.712GHz, its Pass Band Bandwidth is 5.692-5.732GHz, its Pass Band Insertion Loss is 2dB, and its Pass Band VSWR is 1.2. Its Stop Band frequency is DC-5.487GHz & 5.937-10GHz. The Stop Band Rejection is 60dB.



## Electrical Specifications

Center Frequency (F0)	5712MHz
Pass Band Frequency	40MHz (5692 ~ 5732MHz)
Pass Band Insertion Loss	≤2.0dB
Pass Band VSWR	≤1.2:1
Pass Band Delay	≤20ns
Stop Band Rejection	≥40dB @ F0±125MHz (5587MHz、 5837MHz) ≥60dB @ F0±225MHz (DC ~ 5487MHz、 5937 ~ 10000MHz)
Impedance	50 ohms
Power Handling	≤5W
Connectors	SMA-Female
Surface Finish	Black Paint
Temperature Range	-20°C ~ +60°C
Net Weight	0.0699 KG

## PRODUCT DIMENSIONS



## Test

