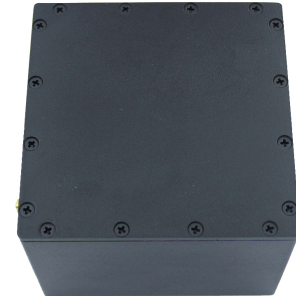


# Cavity Band Pass Filter

## OBP-623-20

Ocean Microwave band-pass filter (Ocean band-pass filter „ abbreviation : abbreviation : OBP) is a filter that allows waves of specific frequency band to pass through while rejecting other frequency bands.

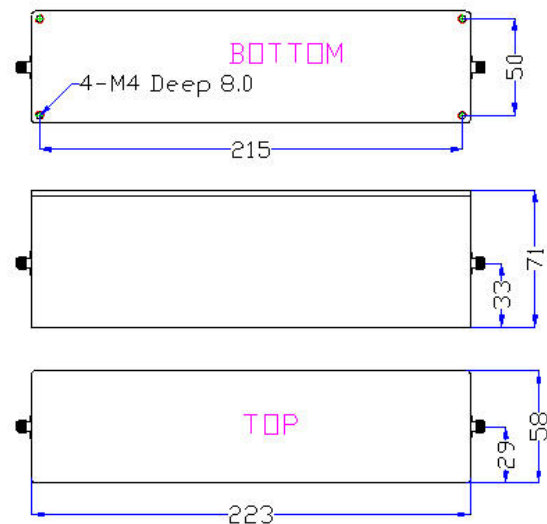
The product name of this Ocean band-pass filter (OBP) is OBP-623-20, its Center Frequency(F0) is 623MHz, its Pass Band Bandwidth is 613 ~ 633MHz, its Pass Band Insertion Loss is  $\leq 1.0\text{dB}$ , and its Pass Band VSWR is  $\leq 1.3:1$ . Its Stop Band frequency is DC ~ 573MHz & 673 ~ 1000MHz. The Stop Band Rejection is:  $\geq 40\text{dB}$



### Electrical Specifications

Center Frequency (F0)	623MHz
Pass Band Frequency	20MHz (613 ~ 633MHz)
Pass Band Insertion Loss	$\leq 1.0\text{dB}$
Pass Band VSWR	$\leq 1.3:1$
Stop Band Rejection	$\geq 40\text{dB}$ @ DC ~ 573MHz $\geq 40\text{dB}$ @ 673 ~ 1000MHz
Impedance	50 ohms
Power Handling	$\leq 20\text{W}$
Connectors	SMA-Female
Surface Finish	Black Paint
Temperature Range	$-30\text{ }^\circ\text{C} \sim +70\text{ }^\circ\text{C}$
Waterproof	IP67
Net Weight	0.925 KG
Configuration	As Below (Size Unit: mm)

### PRODUCT DIMENSIONS



### Test

