

# OPD-A0334



## FEATURES

- SMA connector 0 degree power divider
- Full series coverage 0.5-18GHz
- Small size
- Low loss
- Low VSWR
- High isolation
- High product consistency with batch production control

## DESCRIPTION

The A-Series power dividers are SMA connector 0° power dividers, with the full series covering 0.5-18GHz. They feature small size, low loss, low VSWR, and high isolation. This series utilizes batch production control methods, ensuring relatively high product consistency and the ability to meet large-volume delivery requirements. The OPD-A0334 is primarily used in electronic warfare, radar, test and measurement, and satellite communication systems for microwave signal distribution and combination. This series consists of standardized products that can be customized according to user needs, with other spectrum and standard products available for selection.

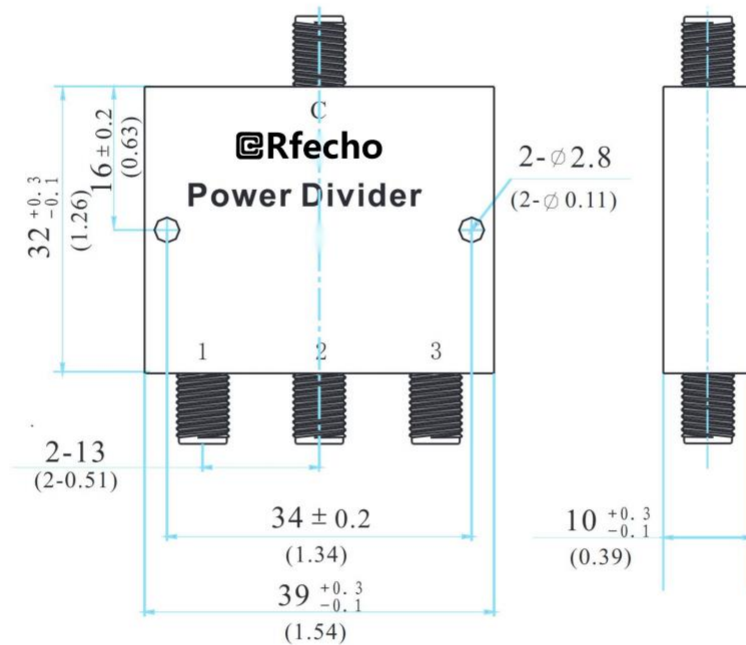
## TECHNICAL SPECIFICATIONS

Frequency Range	Insertion Loss	Isolation	Input VSWR	Output VSWR	Amplitude Balance	Phase Balance	Connector	Power Handling
8-18GHz	1.20dB	18dB	1.60	1.50	±0.60dB	-	SMA-F	30W

## ENVIRONMENTAL SPECIFICATIONS

- Operating Temperature: -55~+85
- Storage Temperature: -55~+100
- Meets 'GJB-1509-1992' test items and requirements

## OUTLINE DRAWING



## TYPICAL PERFORMANCE CURVES

