

# OPD-A0433



## FEATURES

- SMA connector 0° power divider
- Covers 0.5-18GHz range (Series)
- Small volume
- Low insertion loss
- Low VSWR
- High isolation
- High consistency mass production
- Available for customization

## DESCRIPTION

The OPD-A series power dividers are 0° power dividers with SMA connectors, covering the full 0.5-18GHz range. They feature compact size, low loss, low VSWR, and high isolation. This series employs batch production control methods, ensuring high product quality consistency to meet large-volume supply requirements. The OPD-A0433 is primarily used in electronic warfare, radar, navigation, test and measurement, and communication systems for 4-way microwave signal distribution and combination. This is a standard Tiger product, but customized designs are available upon user request.

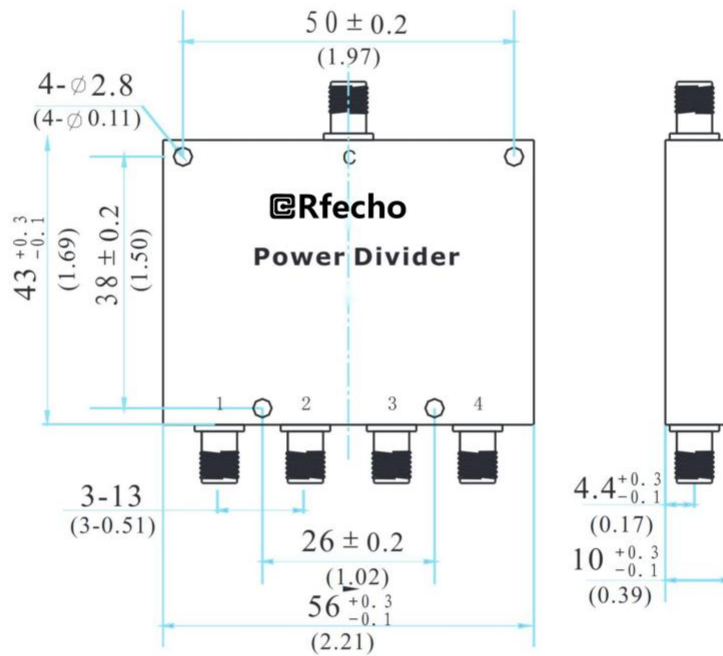
## TECHNICAL SPECIFICATIONS

Frequency Range	Insertion Loss	Isolation	Input VSWR	Output VSWR	Amplitude Balance	Phase Balance	Connector	Power Handling
4-8GHz	0.80dB	20dB	1.30	1.25	±0.30dB	±3°	SMA-F	30W

## ENVIRONMENTAL SPECIFICATIONS

- Operating Temperature: -55~+85°C
- Storage Temperature: -55~+100°C
- Meets GJB-1509-1992 test requirements

## OUTLINE DRAWING



**TYPICAL PERFORMANCE CURVES**

