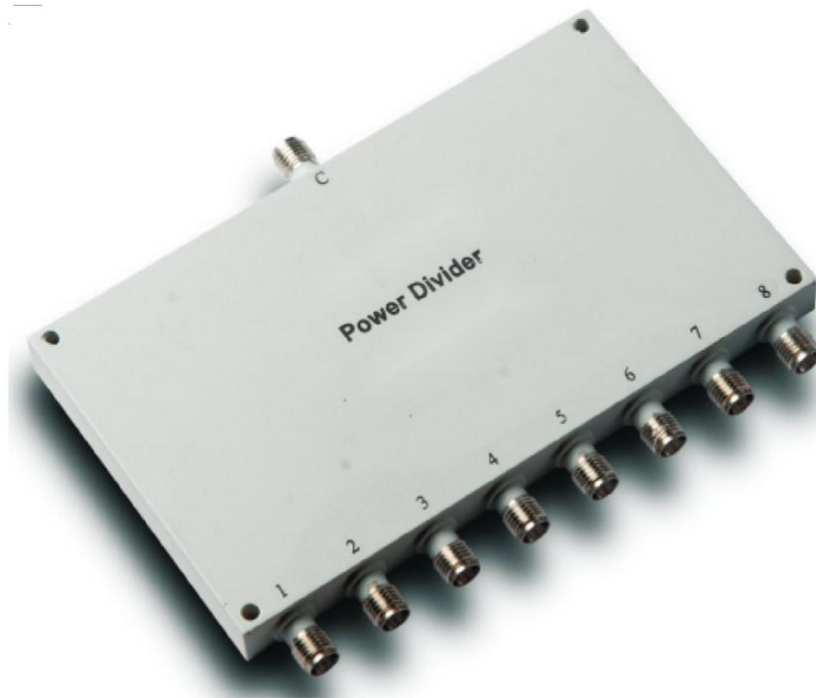


OPD-A0833



FEATURES

- SMA connector 0° power divider
- Covers 0.5-18GHz frequency range
- Small volume
- Low insertion loss
- Low VSWR
- High isolation
- High batch production consistency
- Standardized product, customizable upon request

DESCRIPTION

The A-series power dividers are SMA connector 0° power dividers covering the full 0.5-18GHz range. They feature small size, low loss, low standing wave, high isolation, and high consistency in batch production. The OPD-A0833 is mainly used in electronic countermeasures, radar, navigation, test and measurement, and communication systems for 8-way microwave signal distribution and combination.

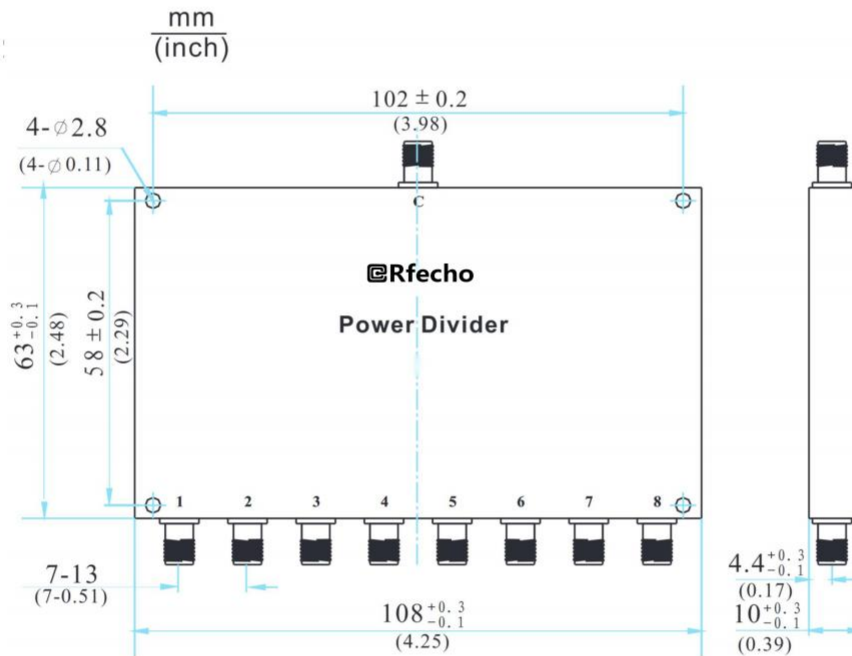
TECHNICAL SPECIFICATIONS

Frequency Range	Insertion Loss	Isolation	Input VSWR	Output VSWR	Amplitude Balance	Phase Balance	Connector	Power Handling
4-8GHz	1.20dB	18dB	1.50	1.25	±0.40dB	±4°	SMA-F	30W

ENVIRONMENTAL SPECIFICATIONS

- Operating Temperature: -55~+85°C
- Storage Temperature: -55~+100°C
- Meets 'GJB-1509-1992' test requirements

OUTLINE DRAWING



TYPICAL PERFORMANCE CURVES

