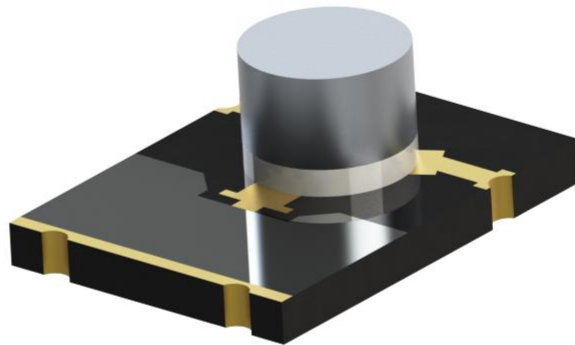




# OG5A015-13-15



## Features

- Miniaturized and lightweight
- High product consistency and high reliability
- Customizable
- Suitable for aviation, aerospace, radar, electronic countermeasure, microwave communication, and microwave testing fields

## Description

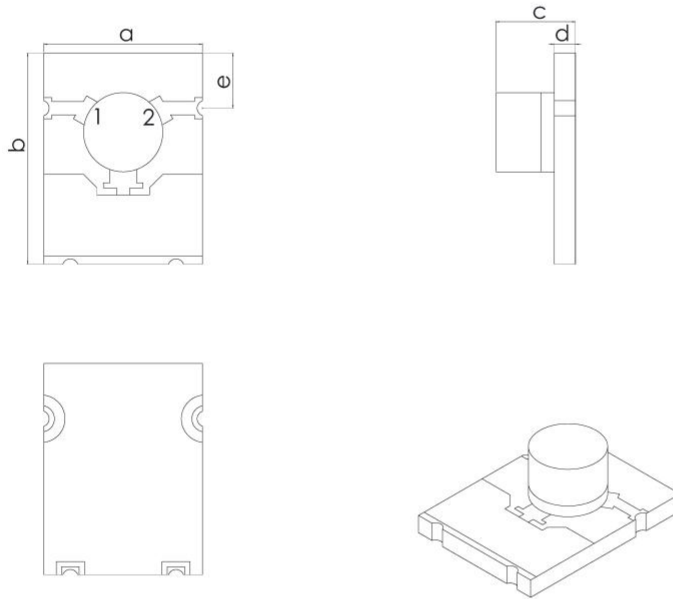
The product named OG5A015 is high-performance microstrip surface-mount isolator that plays a role in impedance matching and decoupling in integrated circuits, while providing unidirectional transmission and signal processing functions. Its production process is straightforward and well-suited for microwave hybrid integrated circuits.



## Technical indicators

Model Number	Freq. (MHz)	Bandwidth	Insertion Loss (dB)	Isolation (dB)	Return Loss (dB)	Power (W)	Reflected Power (W)	a	b	c	d	e	Operating Temp (°C)
OG5A015	13-15	full	0.5	18.0	1.30	15.0	3.0	5.0	7.0	3.0	0.5	0.8	-55~+85

## Mechanical Outline





## Performance Data

