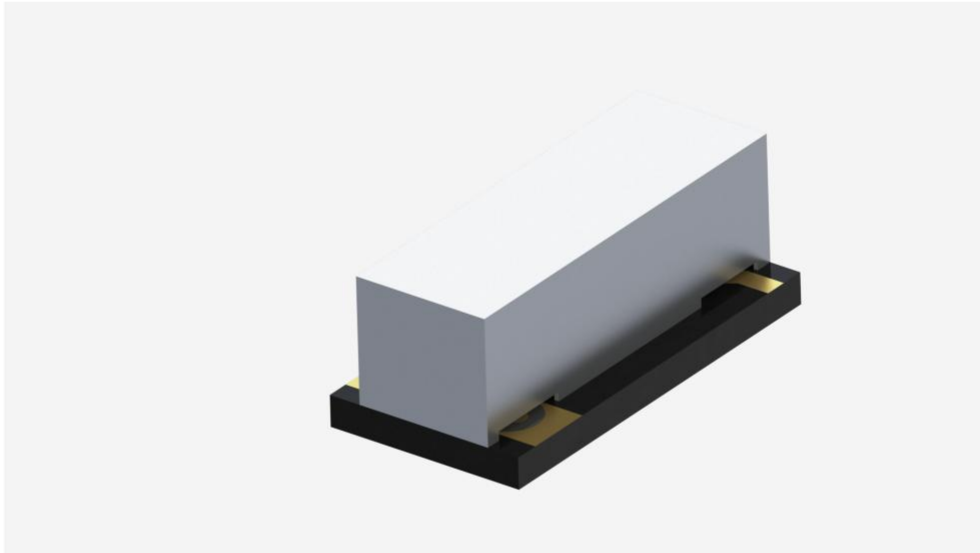




# OG5A027-14.0-18.0



## Features

- Effective shielding of static magnetic fields and electromagnetic interference
- Miniaturization and light weight
- Good product consistency and high reliability
- Customizable design
- Suitable for aviation, aerospace, radar, electronic countermeasures, microwave communications, and testing fields

## Description

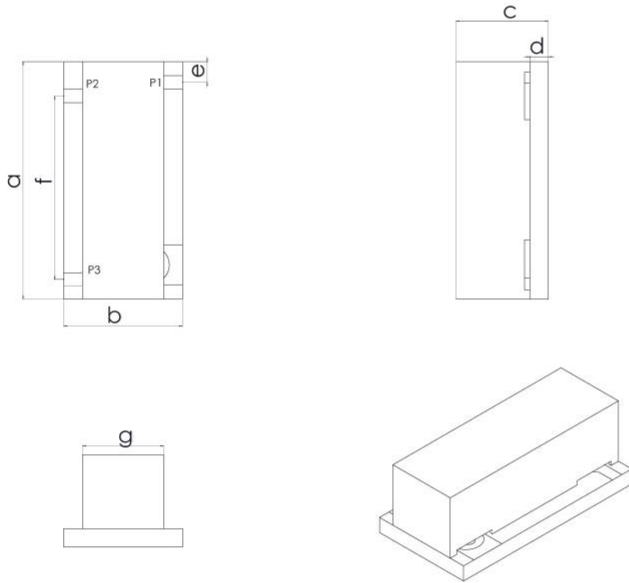
The product named OG5A027 is high-performance microstrip magnetic shielding isolator component mainly used in the receiving and transmitting modules of phased array radar to improve system stability by providing high isolation between ports and magnetic shielding to minimize interference.



### Technical indicators

Model Number	Freq. (GHz)	Bandwidth	Insertion Loss 2-1 (dB)	Insertion Loss 1-3 (dB)	Isolation 1-2 (dB)	Isolation 2-3 (dB)	Isolation 3-1 (dB)	Isolation 3-2 (dB)	VS WR	Forward Power (W)	Reverse Power (W)	a	b	c	d	e	f	g	Operating Temp (°C)
OG5A027	14.0-18.0	full	0.7	1.1	16.0	16.0	28.0	16.0	1.35	15.0	3.0	7.0	8.0	3.5	0.6	1.2	4.6	5.0	-55~+85

### Mechanical Outline





## Performance Data

