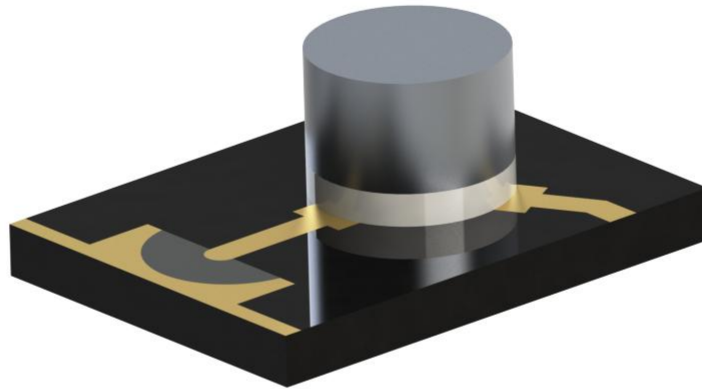




# OG5A062-28.3-31



## Features

- Miniaturization and light weight
- High product consistency and high reliability
- Customizable
- Suitable for aviation, aerospace, radar, and electronic countermeasures
- Applicable for microwave communications and microwave testing fields

## Description

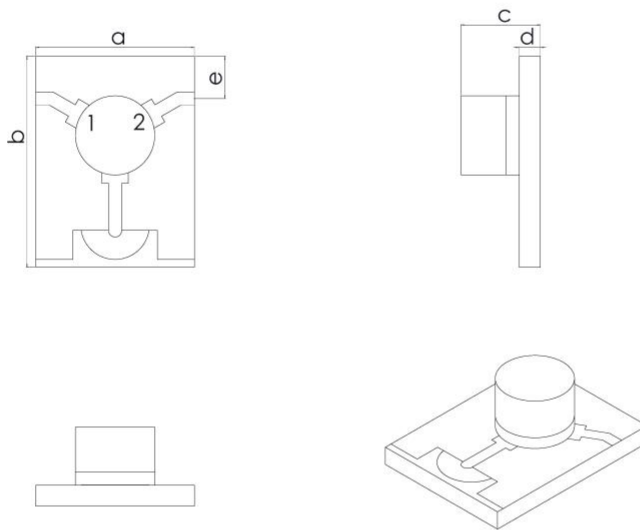
The product named OG5A062 is high-performance microstrip isolator. These microstrip isolators are used for impedance matching and decoupling in integrated circuits, facilitating unidirectional transmission and signal processing, ideal for microwave integrated circuits.



## Technical Indicators

Model Number	Freq. (MHz)	Insertion Loss (dB)	Isolation (dB)	Return Loss (dB)	Power (W)	Operating Temp (°C)	Size Spec
OG5A062	28300-31000	0.7	18.0	1.30	10.0	-55 to +85	a=4.0, b=4.5, c=3.0, d=0.7, e=0.7

## Mechanical Outline





## Performance Data

