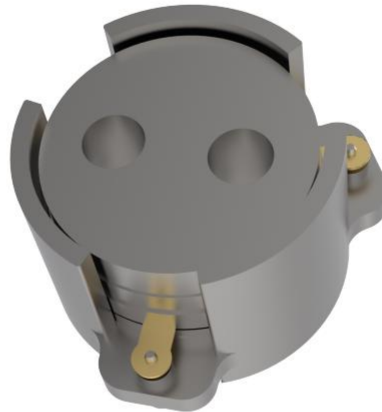




OH103C-2110-2170



Features

- Stripline design
- Surface mount package
- Operating frequency from 1805 to 5000 MHz
- High power handling up to 100W
- Excellent isolation and return loss
- Wide operating temperature range

Description

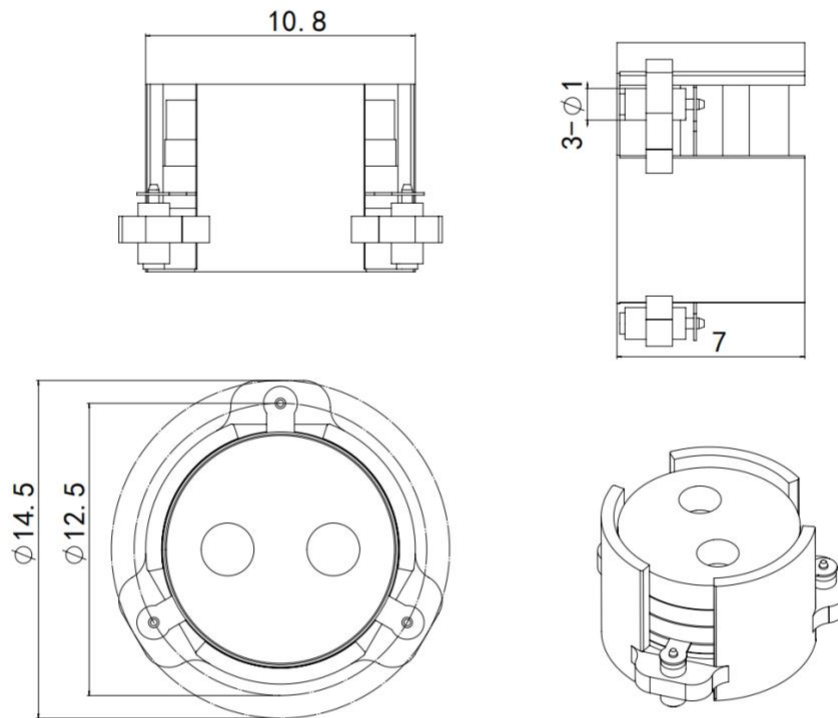
The product named OH103C is high-performance stripline surface mount circulator designed for high-power communication systems, offering low insertion loss and high isolation across multiple frequency bands.



Technical Indicators

| Size Spec | Part Number | Freq. (MHz) | Return Loss (dB) | Isolation (dB) | Insertion Loss (dB) | IMD3 (dBc) | Power (W) | Operating Temp (°C) |
|-----------|-------------|-------------|------------------|----------------|---------------------|-------------|-----------|---------------------|
| 12.5mm | OH103C | 2110-2170 | 20 | 20 | 0.30 | -60 (2*10W) | 100 | -40 ~ 105 |

Mechanical Outline





Performance Data

