



OH103E-2110-2170



Features

- Surface Mount Package
- Broad Frequency Coverage
- Low Insertion Loss
- High Isolation
- High Power Handling

Description

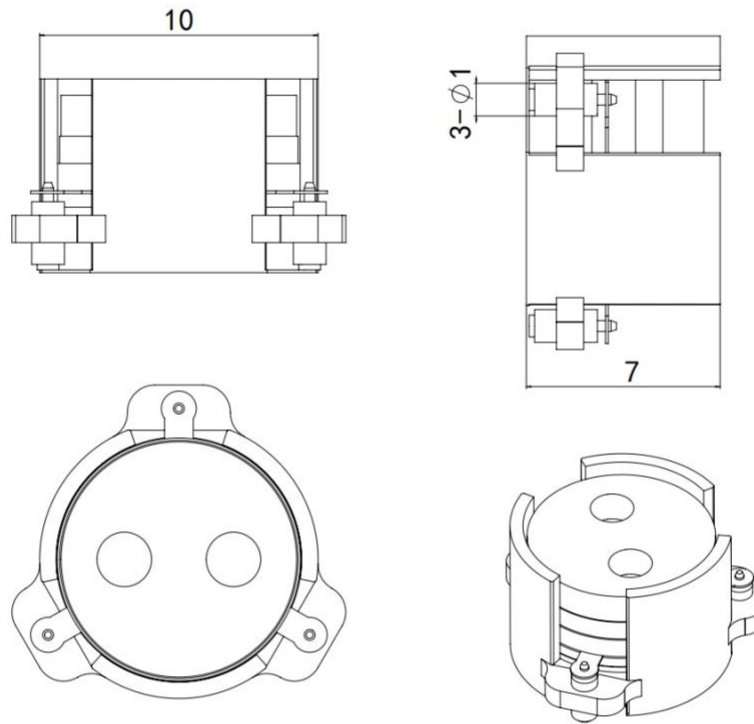
The product named OH103E-2110-2170 is high-performance stripline surface mount circulator designed for telecommunications and RF applications.



Technical indicators

Size Spec	Part Nbr	Freq. (MHz)	Return Loss (dB)	Isolation (dB)	Insertion Loss (dB)	IMD3 (dBc)	Power (W)	Operating Temp (°C)
10mm	OH103E	2110-2170	20	20	0.30	-60 2*5W	70	-40 ~ 105

Mechanical Outline





Performance Data

