



OH103E-3800-4200



Features

- Surface Mount Package
- Broad Frequency Coverage
- Low Insertion Loss
- High Isolation
- High Power Handling

Description

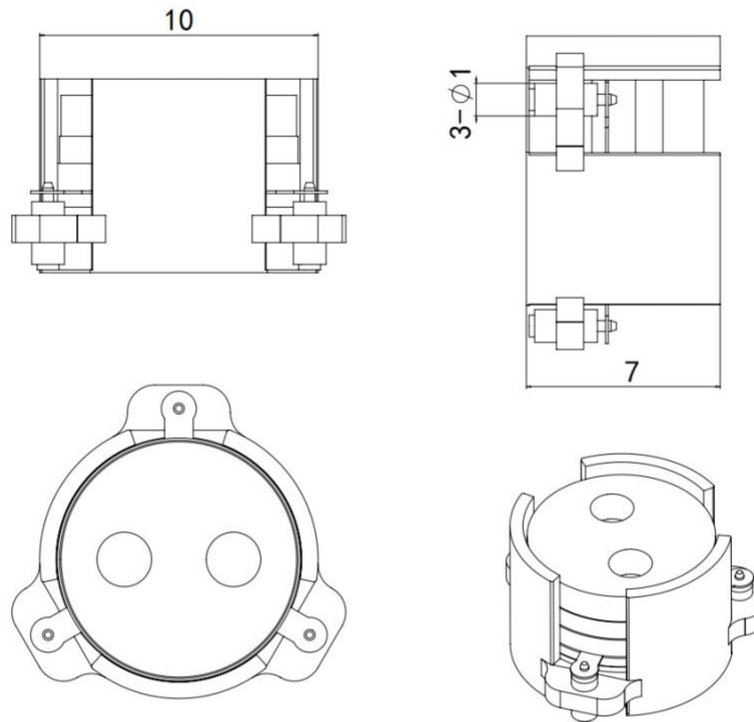
The product named OH103E-3800-4200 is high-performance stripline surface mount circulator designed for telecommunications and RF applications.



Technical indicators

| Size Spec | Part Nbr | Freq. (MHz) | Return Loss (dB) | Isolation (dB) | Insertion Loss (dB) | IMD3 (dBc) | Power (W) | Operating Temp (°C) |
|-----------|----------|-------------|------------------|----------------|---------------------|------------|-----------|---------------------|
| 10mm | OH103E | 3800-4200 | 20 | 20 | 0.30 | -60 2*5W | 70 | -40 ~ 105 |

Mechanical Outline





Performance Data

