



OH107C-1805-1880



Features

- High isolation
- Low insertion loss
- Compact surface mount package
- Wide operating temperature range
- Excellent power handling capabilities

Description

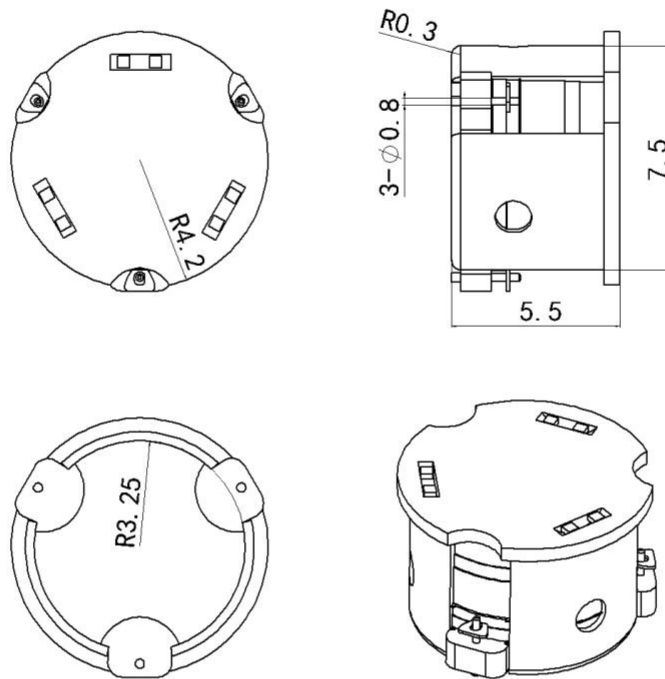
The product named OH107C-1805-1880 is high-performance stripline surface mount circulator designed for high-reliability telecommunication applications.



Technical indicators

Size Spec	Part Number	Freq. (MHz)	Return Loss (dB)	Isolation (dB)	Insertion Loss (dB)	IMD3 (dBc)	Power (W)	Operating Temp (°C)
7mm	OH107C	1805-1880	20	20	0.30	-60 (2*5W)	20	-40 to 105

Mechanical Outline





Performance Data

