



OH120A-2300-2400



Features

- Stripline design
- Surface mount package
- Wide frequency coverage
- Low insertion loss
- High isolation
- Excellent IMD3 performance

Description

The product named OH120A-2300-2400 is high-performance stripline surface mount circulator designed for telecommunication applications requiring a compact form factor and excellent electrical performance.



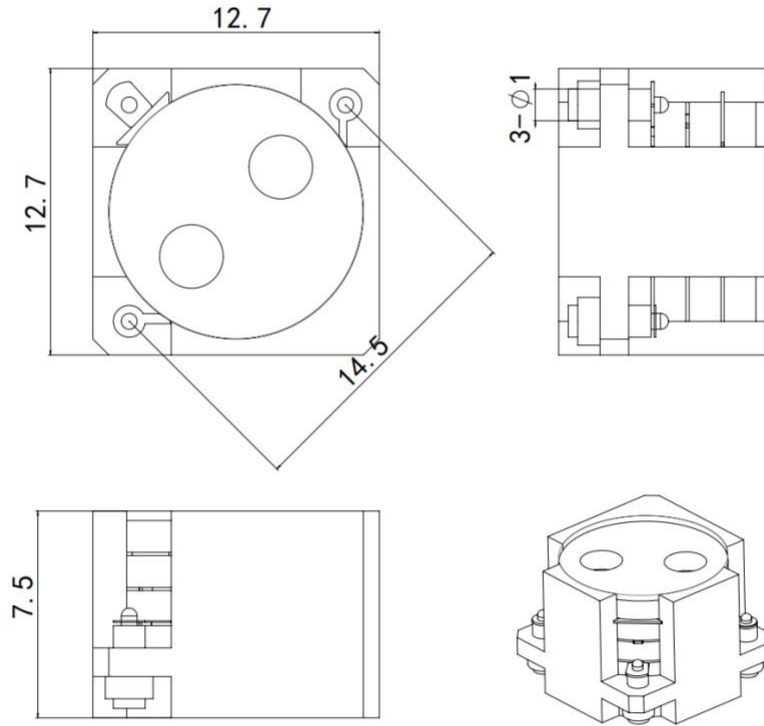
Technical Indicators

| Size Spec | Part Number | Freq. (MHz) | Return Loss (dB) | Isolation (dB) | Insertion Loss (dB) | IMD3 (dBc) | Power (W) | Operating Temp (°C) |
|-------------|-------------|-------------|------------------|----------------|---------------------|-------------|-----------|---------------------|
| 12.7*12.7mm | OH120A | 2300-2400 | 20 | 20 | 0.30 | -65 (2*10W) | 100 | -40 ~ 125 |

Environmental Parameters

| Operating Temp (°C) |
|---------------------|
| -40 ~ 125 |

Mechanical Outline





Performance Data

