



OH121A-1805-1880



Features

- Stripline technology
- Surface mount package
- Wide frequency range coverage
- High isolation
- Low insertion loss
- High power handling up to 50W
- Wide operating temperature range (-40°C to +125°C)

Description

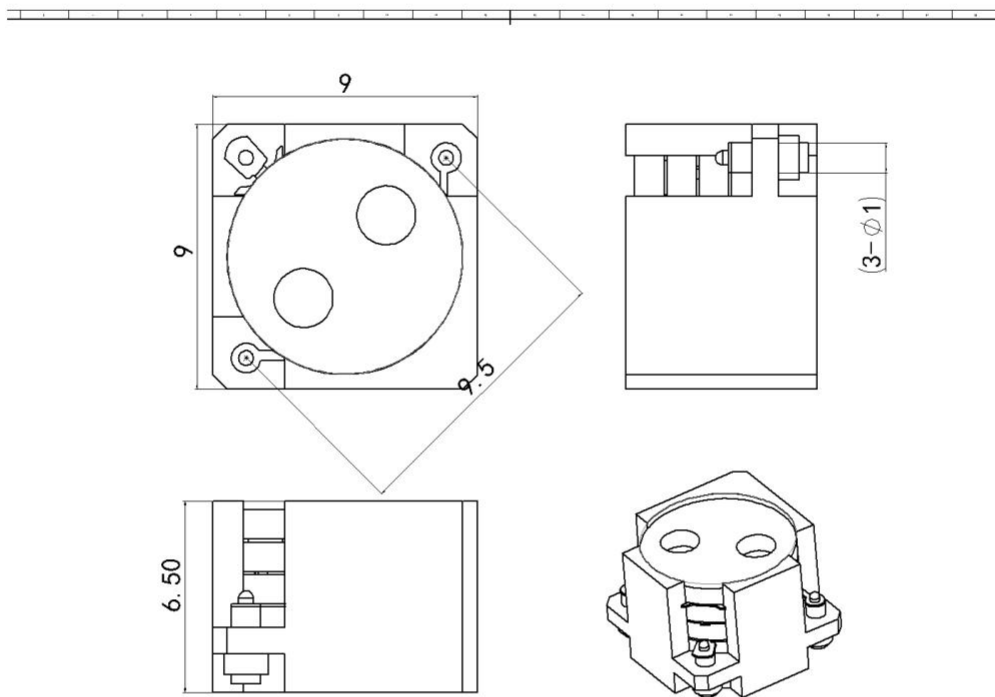
The product named OH121A-1805-1880 is high-performance surface mount circulator designed for stripline applications, offering excellent isolation and low insertion loss across its operating frequency range.



Technical indicators

Size Spec	Part Nbr	Freq. (MHz)	Return Loss (dB)	Isolation (dB)	Insertion Loss (dB)	IMD3 (dBc)	Power (W)	Operating Temp (°C)
9*9mm	OH121A	1805-1880	20	20	0.35	-60 (2*10W)	50	-40 ~ 125

Mechanical Outline





Performance Data

