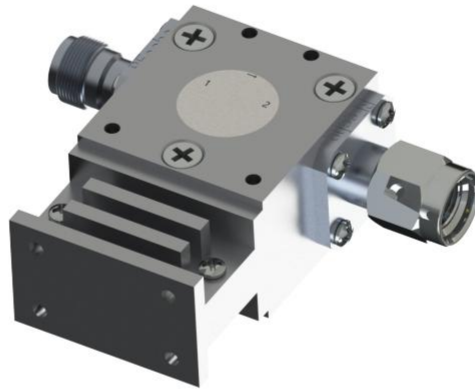




OH2A098-1~2



Features

- Wide frequency coverage from 5.5GHz to 110GHz
- Bandwidth options: 10%, 20%, 30%, 40%, 2 times
- Peak power: 1W to 40MW
- Average power: 1W to 100KW
- Applications include civil, military, aviation, and space technology
- Customizable according to customer requirements
- High performance and high reliability

Description

The product named OH2A098 is high-performance A06 wideband product user guide variant, offering wide frequency coverage and robust performance for various technological applications.



Technical Indicators

Model	Freq. (GHz)	Bandwidth	Insertion Loss (dB)	Isolation (dB)	VSWR	Power (W)	Reverse Power (W)	Connector Type	L	W	H	Operating Temp (°C)
OH2A098-1~2	1~2	full	0.7	16	1.37	100	100	SMA or N	70	80	21	0~+60

Mechanical Outline

