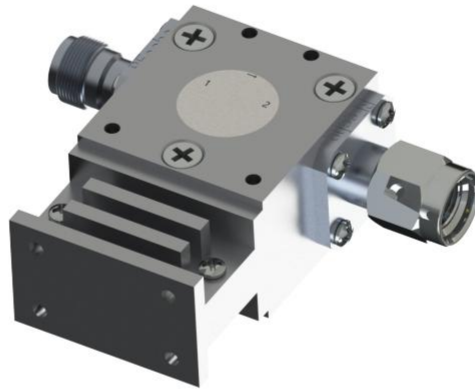




# OH2A104-2~4



## Features

- Wide frequency coverage from 5.5GHz to 110GHz
- Bandwidth options: 10%, 20%, 30%, 40%, 2 times
- Peak power: 1W to 40MW
- Average power: 1W to 100KW
- Applications include civil, military, aviation, and space technology
- Customizable according to customer requirements
- High performance and high reliability

## Description

The product named OH2A104 is high-performance A06 wideband product user guide variant, offering wide frequency coverage and robust performance for various technological applications.



## Technical Indicators

Model	Freq. (GHz)	Bandwidth	Insertion Loss (dB)	Isolation (dB)	VSWR	Power (W)	Reverse Power (W)	Connector Type	L	W	H	Operating Temp (°C)
OH2A104	2~4	full	0.8	15	1.50	100	100	SMA or N	32	34	18	0~+60

## Mechanical Outline

