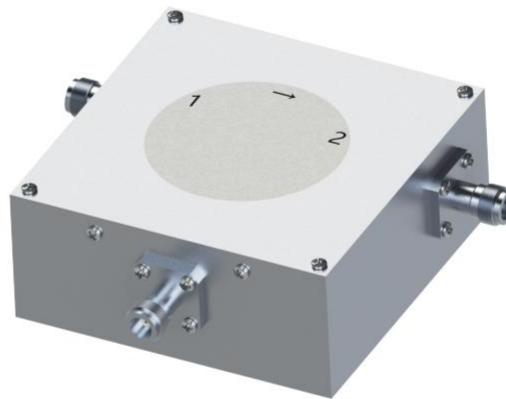




OH6A037-55-65



Features

- Coaxial integrated design
- Frequency range: 55-65 MHz
- Low insertion loss of 1.0 dB
- High isolation performance
- Clockwise signal direction

Description

The product named OH6A037 is high-performance coaxial integrated ring circulator, optimized for the 55-65 MHz frequency band with superior power handling and signal integrity for integrated RF systems.



Technical Indicators

Part Number	Freq. (MHz)	Return Loss (dB)	Isolation (dB)	Insertion Loss (dB)	Reflection Power (W)	Handling Power (W)	Direction (CW/CCW)
OH6A037	55-65	18	16	1.0	20	50	CW

Mechanical Outline

