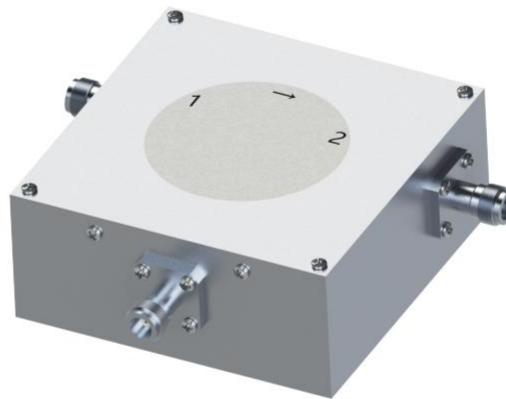




OH6A038-40-42



Features

- Coaxial integrated design
- Frequency range: 40-42 MHz
- High isolation of 16 dB
- N-Female connector interface
- CW direction operation

Description

The product named OH6A038 is high-performance coaxial integrated ring circulator designed for low-frequency RF applications, providing robust signal isolation and low insertion loss in a compact package.



Technical Indicators

Part Number	Freq. (MHz)	Return Loss (dB)	Isolation (dB)	Insertion Loss (dB)	Reflection Power (W)	Handling Power (W)	Direction (CW/CCW)
OH6A038	40-42	18	16	1.5	20	50	CW

Mechanical Outline

