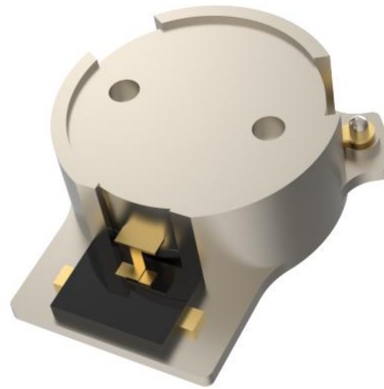




OHYG101B-1805-2170



Features

- Low Insertion Loss
- High Isolation
- High Power Handling
- Compact Surface Mount Package
- Wide Operating Temperature Range

Description

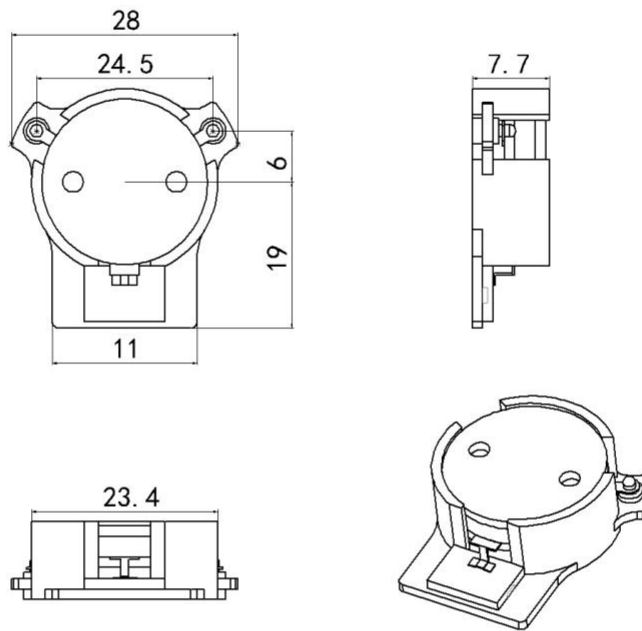
The product named OHYG101B is high-performance stripline surface-mounted isolator designed for robust operation in telecommunication systems. It features excellent isolation, low insertion loss, and high power handling capabilities over various frequency bands.



Technical indicators

| Size Spec | Freq. (MHz) | Return Loss (dB) | Isolation (dB) | Insertion Loss (dB) | IMD3 (dBc) | Forward Power (W) | Reverse Power (W) | Operating Temp (°C) |
|-----------|-------------|------------------|----------------|---------------------|-------------|-------------------|-------------------|---------------------|
| 23.4mm | 1805-2170 | 20 | 20 | 0.30 | -65 (2*50W) | 200 | 100 | -40 ~ 120 |

Mechanical Outline





Performance Data

