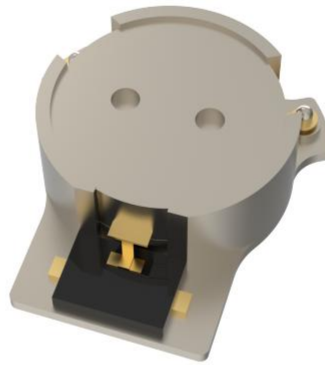




OHYG111B-1805-1880



Features

- Surface-mounted design
- Stripline structure
- Low insertion loss
- High isolation
- High power handling capacity
- Wide operating temperature range

Description

The product named OHYG111B-1805-1880 is high-performance stripline surface-mounted isolator designed for robust signal conditioning and power management in wireless communication systems.



Technical indicators

Size Spec	Freq. (MHz)	Return Loss (dB)	Isolation (dB)	Insertion Loss (dB)	IMD3 (dBc)	Forward Power (W)	Reverse Power (W)	Operating Temp (°C)
31mm	1805-1880	24	24	0.25	-72 @ 2*50W	200	100	-40 to 120

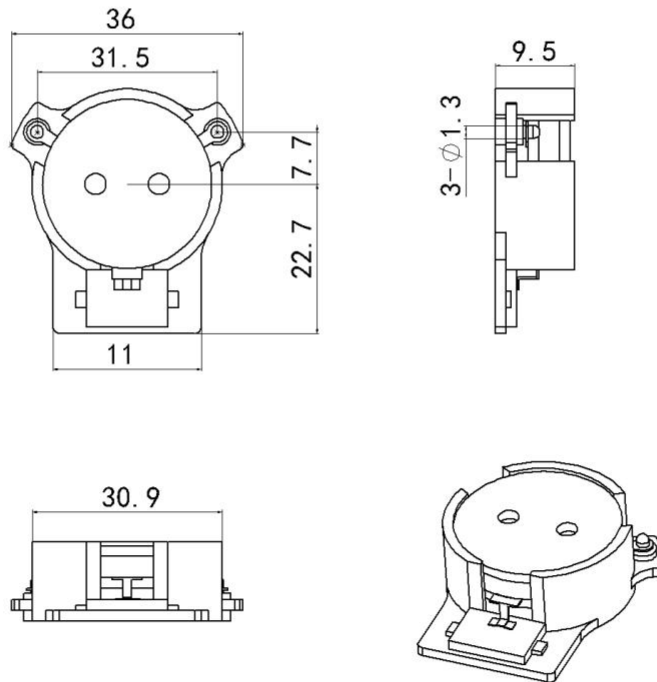
Environmental Parameters

Feature	Value
Operating Temp	-40 to 120 degrees Celsius

Absolute Max Ratings

Forward Power (W)	Reverse Power (W)	Operating Temp (°C)
200	100	-40 to 120

Mechanical Outline





Performance Data

