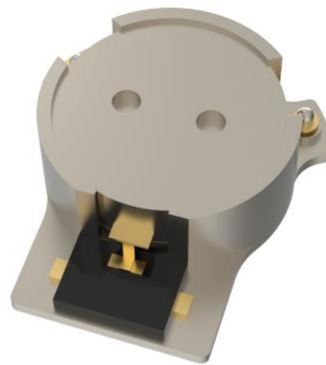




OHYG111B-2110-2180



Features

- Surface-mounted design
- Stripline structure
- Low insertion loss
- High isolation
- High power handling capacity
- Wide operating temperature range

Description

The product named OHYG111B-2110-2180 is high-performance stripline surface-mounted isolator designed for robust signal conditioning and power management in wireless communication systems.



Technical indicators

| Size Spec | Freq. (MHz) | Return Loss (dB) | Isolation (dB) | Insertion Loss (dB) | IMD3 (dBc) | Forward Power (W) | Reverse Power (W) | Operating Temp (°C) |
|-----------|-------------|------------------|----------------|---------------------|-------------|-------------------|-------------------|---------------------|
| 31mm | 2110-2180 | 24 | 24 | 0.25 | -72 @ 2*50W | 200 | 100 | -40 to 120 |

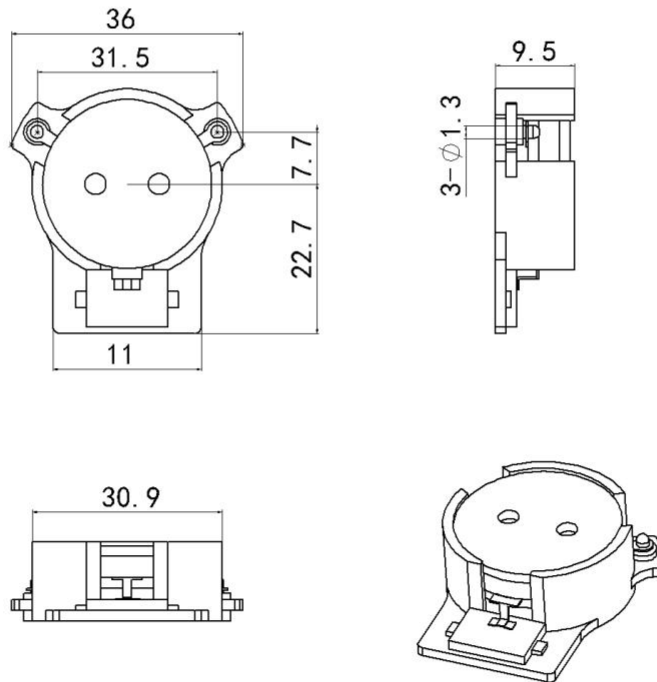
Environmental Parameters

| Feature | Value |
|----------------|----------------------------|
| Operating Temp | -40 to 120 degrees Celsius |

Absolute Max Ratings

| Forward Power (W) | Reverse Power (W) | Operating Temp (°C) |
|-------------------|-------------------|---------------------|
| 200 | 100 | -40 to 120 |

Mechanical Outline





Performance Data

