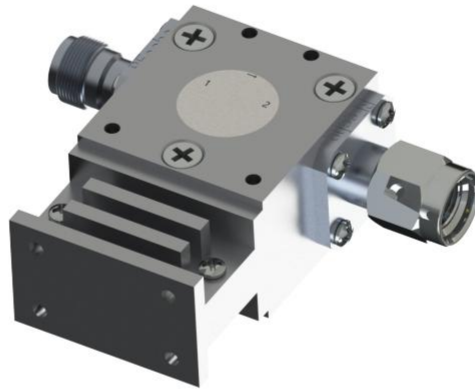




OHYG411-700-1000



Features

- Product frequency range covers 100MHz-40GHz
- Applicable to civil, military, aviation, and space technology
- Good compatibility, customizable input/output connectors
- High performance and high reliability

Description

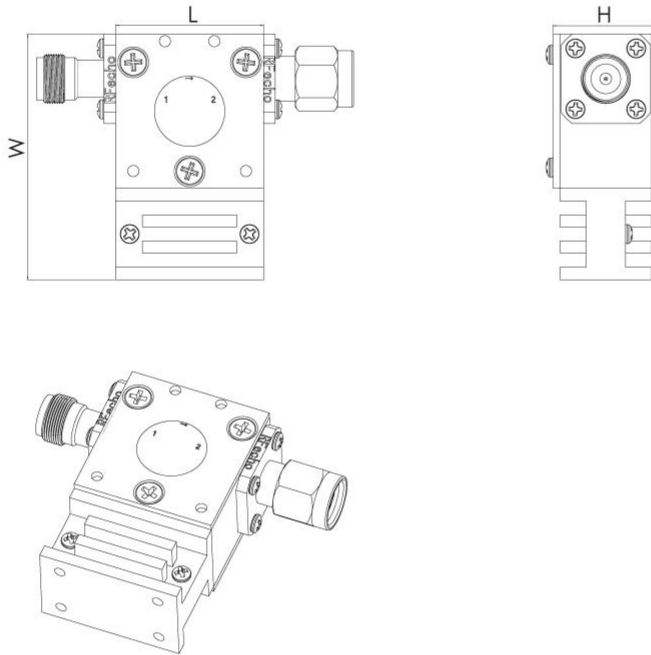
The product named OHYG411 is high-performance coaxial product with a frequency range covering 100MHz-40GHz, widely used in civil, military, aviation, and space technology applications. It features high performance and high reliability with customizable input and output connectors.



Technical indicators

Part Number	Size Spec	Freq. (MHz)	Return Loss (dB)	Isolation (dB)	Insertion Loss (dB)	Power (W)	Operating Temp (°C)
OHYG411	35.0 * 48.0 * 20.0	700-1000	1.45	15.0	0.6	200.0	-55~+85

Mechanical Outline





Performance Data

