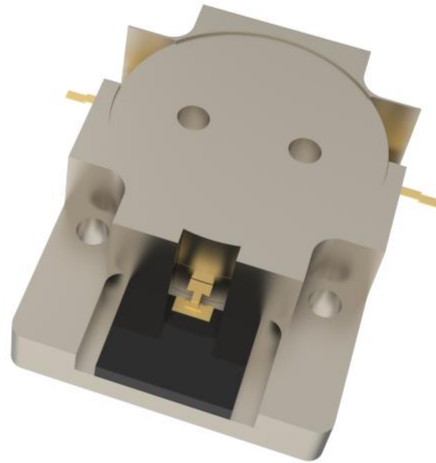




OHYG50 5M-1805-2170



Features

- Embedded Stripline Isolator
- Low Insertion Loss
- High Isolation
- Wide Operating Temperature Range
- High Forward/Reverse Power Handling

Description

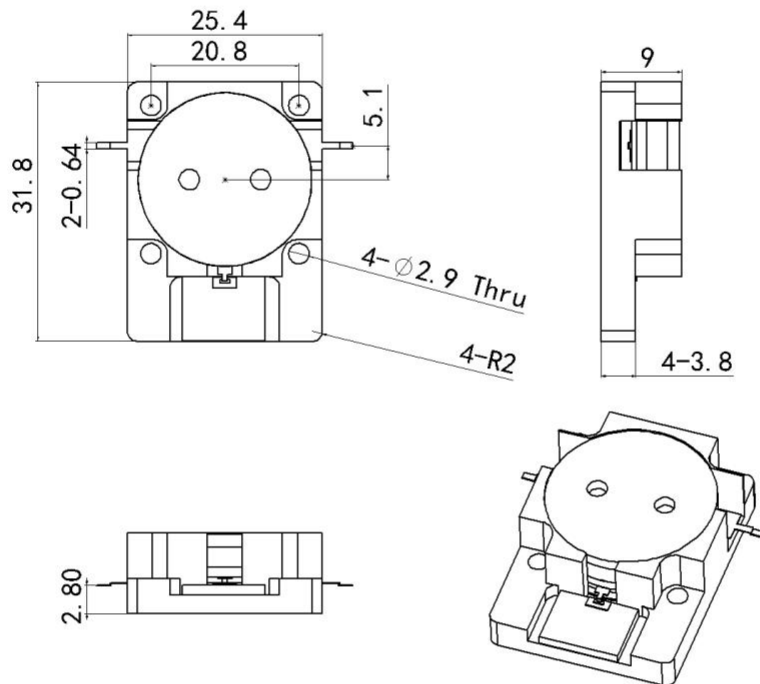
The product named OHYG50 5M 1805-2170 is high-performance embedded isolator designed for stripline applications, offering excellent isolation and low insertion loss across the 1805-2170 MHz frequency range.



Technical indicators

Size Spec	Part Number	Freq. (MHz)	Return Loss (dB)	Isolation (dB)	Insertion Loss (dB)	IMD3 (dBc)	Test Power	Forward Power (W)	Reverse Power (W)	Operating Temp (°C)
1.0inch	OHYG 505M	1805-2170	20	20	0.30	-65	2*50W	200	100	-40 ~ 120

Mechanical Outline



⊞



Performance Data

