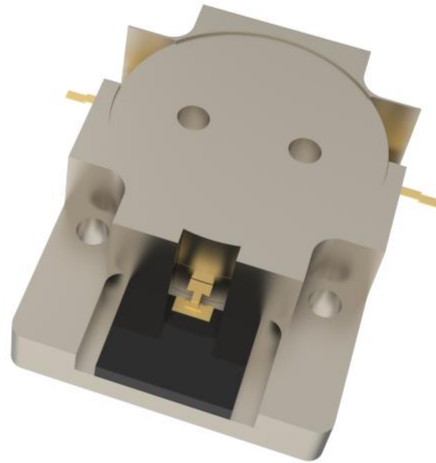




OHYG50 5M-2110-2180



Features

- Embedded Stripline Isolator
- Low Insertion Loss
- High Isolation
- Wide Operating Temperature Range
- High Forward/Reverse Power Handling

Description

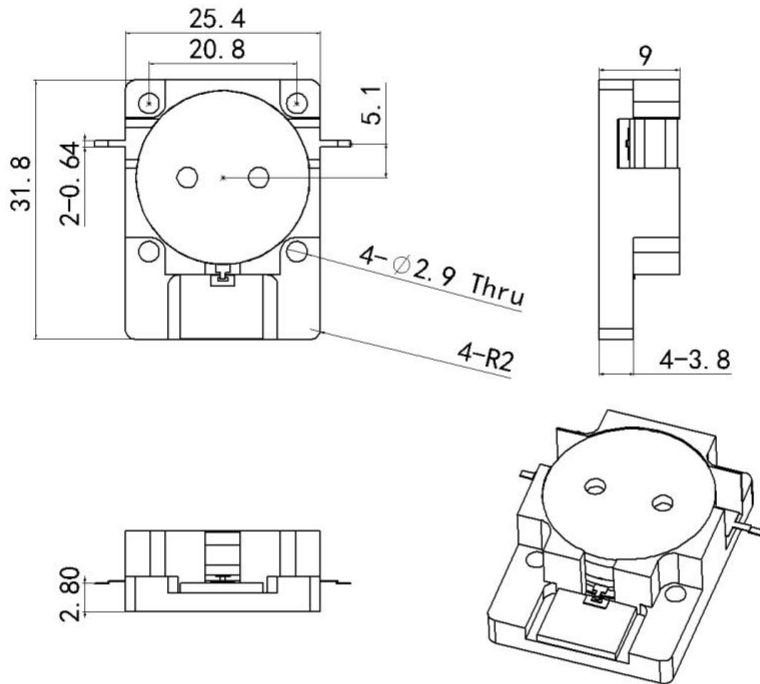
The product named OHYG50 5M 2110-2180 is high-performance embedded isolator designed for stripline applications, offering excellent isolation and low insertion loss across the 2110-2180 MHz frequency range.



Technical indicators

| Size Spec | Part Number | Freq. (MHz) | Return Loss (dB) | Isolation (dB) | Insertion Loss (dB) | IMD3 (dBc) | Test Power | Forward Power (W) | Reverse Power (W) | Operating Temp (°C) |
|-----------|-------------|-------------|------------------|----------------|---------------------|------------|------------|-------------------|-------------------|---------------------|
| 1.0inch | OHYG 505M | 2110-2180 | 24 | 24 | 0.25 | -72 | 2*50W | 200 | 100 | -40 ~ 120 |

Mechanical Outline



⊞



Performance Data

