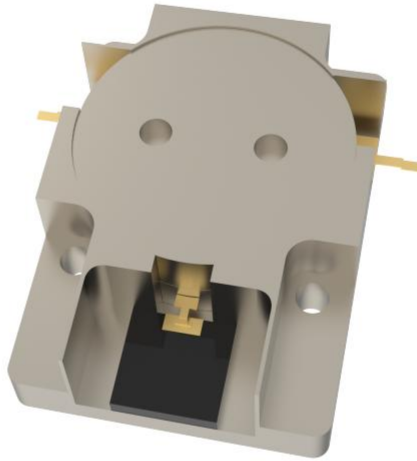




OHYG511C-758-960



Features

- High isolation
- Low insertion loss
- High power handling
- Wide operating temperature range
- Excellent IMD3 performance

Description

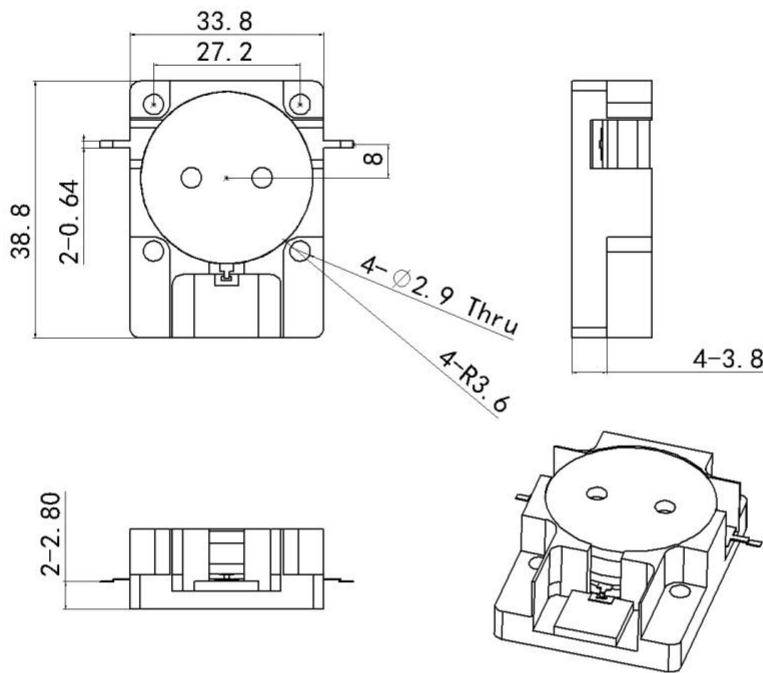
The product named OHYG511C-758-960 is high-performance embedded isolator designed for stripline applications, offering high isolation and low insertion loss across its operating range.



Technical indicators

Size Spec	Part Nbr	Freq. (MHz)	Return Loss (dB)	Isolation (dB)	Insertion Loss (dB)	IMD3 (dBc)	Forward Power (W)	Reverse Power (W)	Operating Temp (°C)
1.25inch	OHYG511C	758-960	18	18	0.35	-65 2*50W	250	150	-40 ~ 120

Mechanical Outline





Performance Data

