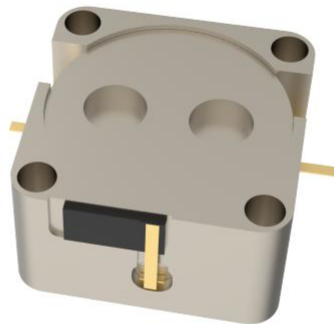




OHYG563D-1609-1679



Features

- Embedded Isolator
- Stripline product
- High isolation
- Low insertion loss
- Wide temperature range

Description

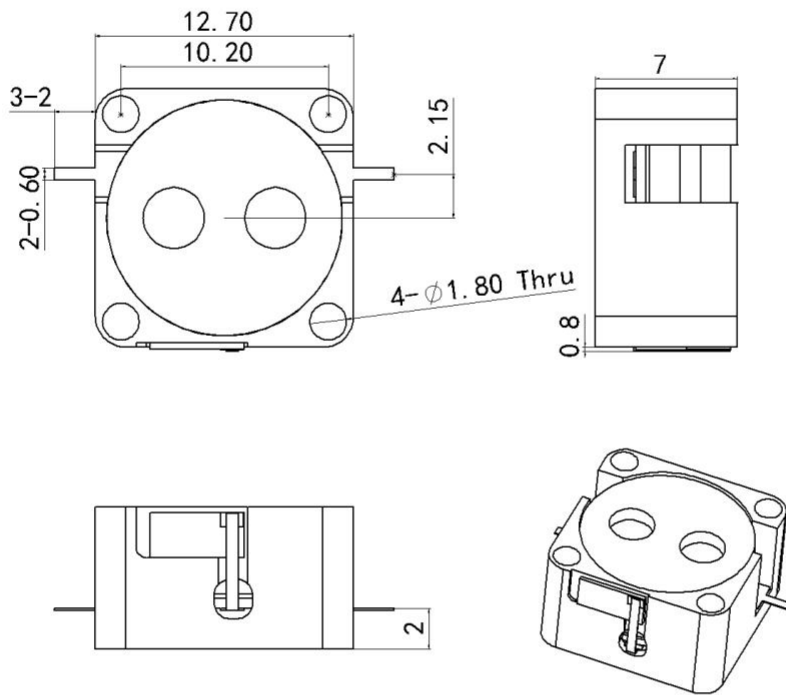
The product named OHYG563D-1609-1679 is high-performance stripline embedded isolator designed for reliable signal isolation in communication systems.



Technical indicators

Size Spec	Part Number	Freq. (MHz)	Return Loss (dB)	Isolation (dB)	Insertion Loss (dB)	IMD3 (dBc)	Forward Power (W)	Reverse Power (W)	Operating Temp (°C)
0.5inch	OHYG563E	1609-1679	18	18	0.55	-62 2*10W	80	10	-40 ~ 85

Mechanical Outline





Performance Data

