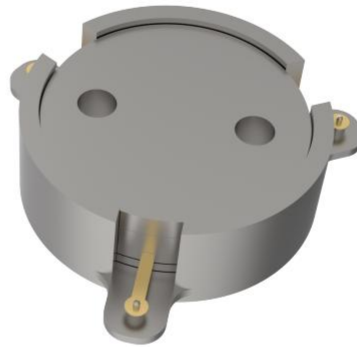




OHYH101B-1452-1492



Features

- Stripline design
- Surface mount package
- High isolation
- Low insertion loss
- Wide operating temperature range

Description

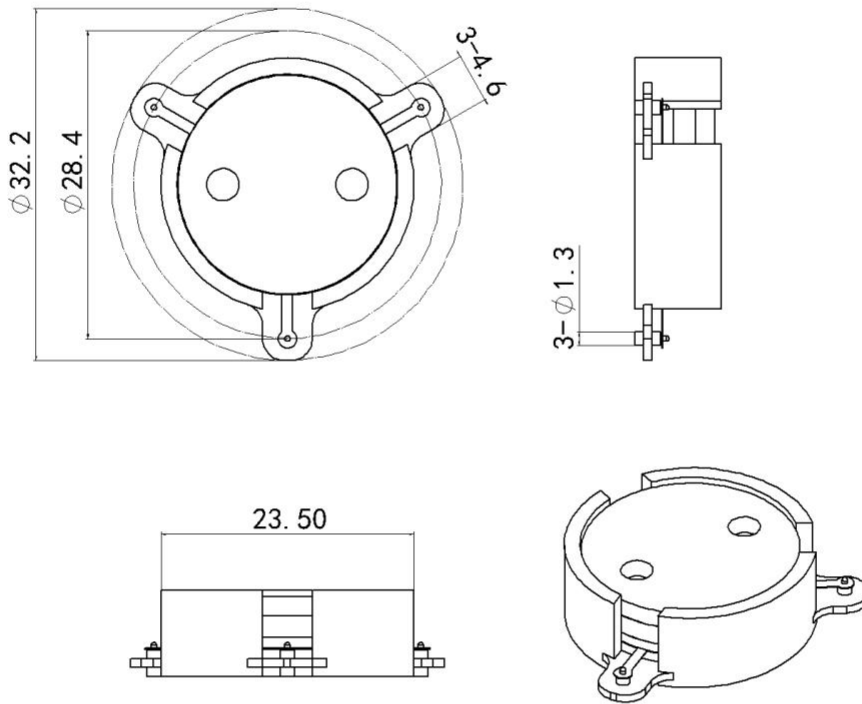
The product named OHYH101B-1452-1492 is high-performance stripline surface mount circulator designed for robust signal routing in RF communication systems, offering excellent performance across a range of technical indicators.



Technical indicators

Size Spec	Part Number	Freq. (MHz)	Return Loss (dB)	Isolation (dB)	Insertion Loss (dB)	IMD3 (dBc)	Power (W)	Operating Temp (°C)
23.4mm	OHYH101B	1452-1492	23	23	0.25	-65	2 50W / 250	-40 ~ 120

Mechanical Outline





Performance Data

