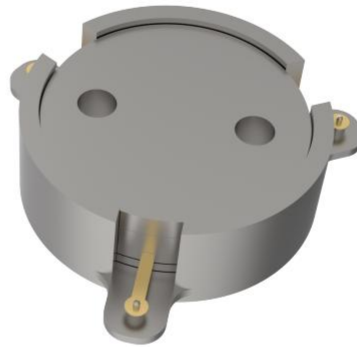




# OHYH101B-2300-2400



## Features

- Stripline design
- Surface mount package
- High isolation
- Low insertion loss
- Wide operating temperature range

## Description

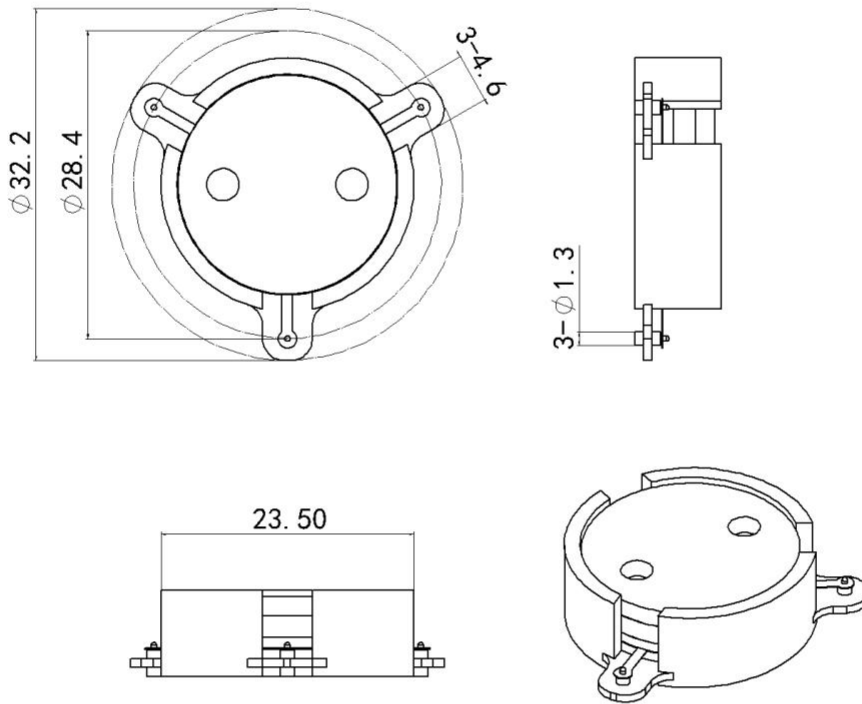
The product named OHYH101B-2300-2400 is high-performance stripline surface mount circulator designed for robust signal routing in RF communication systems, offering excellent performance across a range of technical indicators.



### Technical indicators

| Size Spec | Part Number | Freq. (MHz) | Return Loss (dB) | Isolation (dB) | Insertion Loss (dB) | IMD3 (dBc) | Power (W)   | Operating Temp (°C) |
|-----------|-------------|-------------|------------------|----------------|---------------------|------------|-------------|---------------------|
| 23.4mm    | OHYH101B    | 2300-2400   | 23               | 23             | 0.25                | -65        | 2 50W / 250 | -40 ~ 120           |

### Mechanical Outline





## Performance Data

