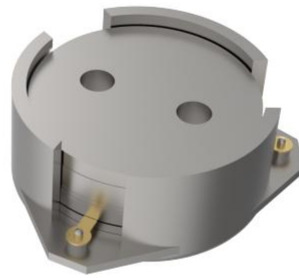




OHYH103B-1407-1507



Features

- Surface mount package
- Low insertion loss
- High isolation
- High power handling up to 120W
- Stable performance across temperature range

Description

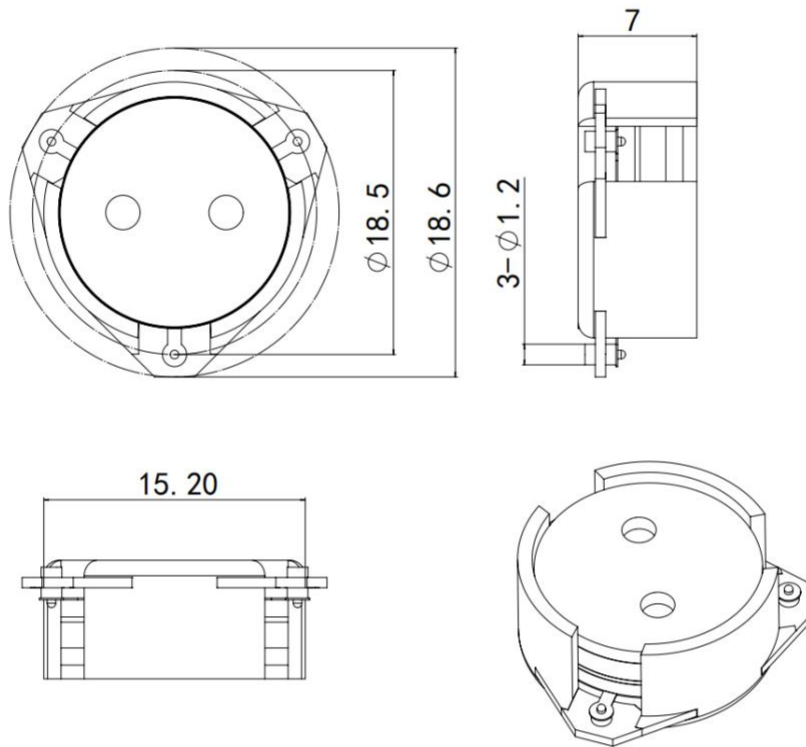
The product named OHYH103B-1407-1507 is high-performance stripline surface mount circulator designed for telecommunications applications.



Technical Indicators

Size Spec	Part Nbr	Freq. (MHz)	Return Loss (dB)	Isolation (dB)	Insertion Loss (dB)	IMD3 (dBc)	Power (W)	Operating Temp (°C)
15.5mm	OHYH103E	1407-1507	20	20	0.30	-60	2*20W / 120	-40 ~ 125

Mechanical Outline





Performance Data

