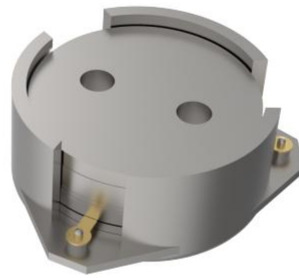




OHYH103B-869-894



Features

- Surface mount package
- Low insertion loss
- High isolation
- High power handling up to 120W
- Stable performance across temperature range

Description

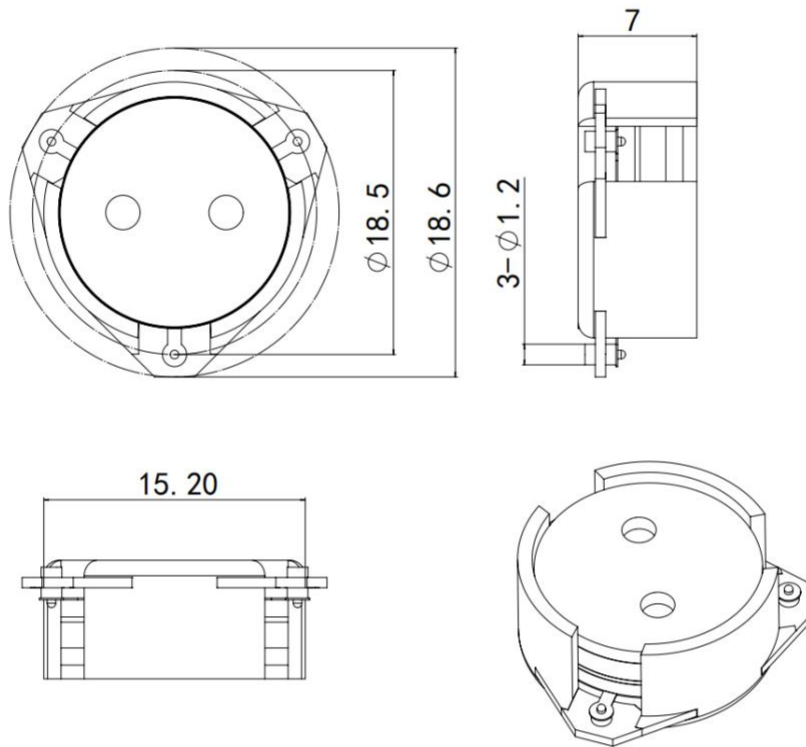
The product named OHYH103B-869-894 is high-performance stripline surface mount circulator designed for telecommunications applications.



Technical Indicators

| Size Spec | Part Nbr | Freq. (MHz) | Return Loss (dB) | Isolation (dB) | Insertion Loss (dB) | IMD3 (dBc) | Power (W) | Operating Temp (°C) |
|-----------|----------|-------------|------------------|----------------|---------------------|------------|-------------|---------------------|
| 15.5mm | OHYH103E | 869-894 | 20 | 20 | 0.30 | -60 | 2*20W / 120 | -40 ~ 125 |

Mechanical Outline





Performance Data

