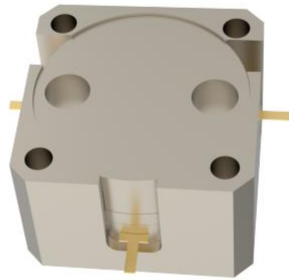




OHYH531A-1805-1880



Features

- Embedded stripline design
- High isolation up to 20dB
- Low insertion loss of 0.30dB
- Broad operating temperature range from -40 to +85°C
- High power handling capability up to 100W

Description

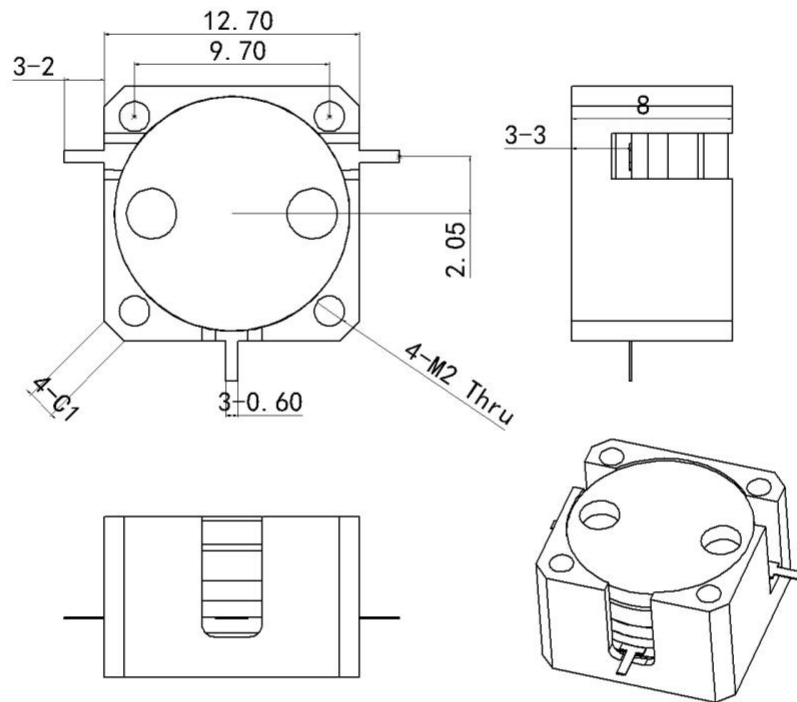
The product named OHYH531A-1805-1880 is high-performance Stripline Products: Embedded Circulator designed for telecommunications applications, featuring robust performance and reliable signal isolation.



Technical indicators

| Size Spec | Part Number | Freq. (MHz) | Return Loss (dB) | Isolation (dB) | Insertion Loss (dB) | IMD3 (dBc) | Power (W) | Operating Temp (°C) |
|-----------|-------------|-------------|------------------|----------------|---------------------|--------------|-----------|---------------------|
| 0.5inch | OHYH531A | 1805-1880 | 20 | 20 | 0.30 | -62 2*10W | 100 | -40 ~ 85 |

Mechanical Outline





Performance Data

