



# OHYH101P-758-960



## Features

- Stripline configuration
- Surface mount design
- High isolation
- Low insertion loss
- Wide frequency range coverage

## Description

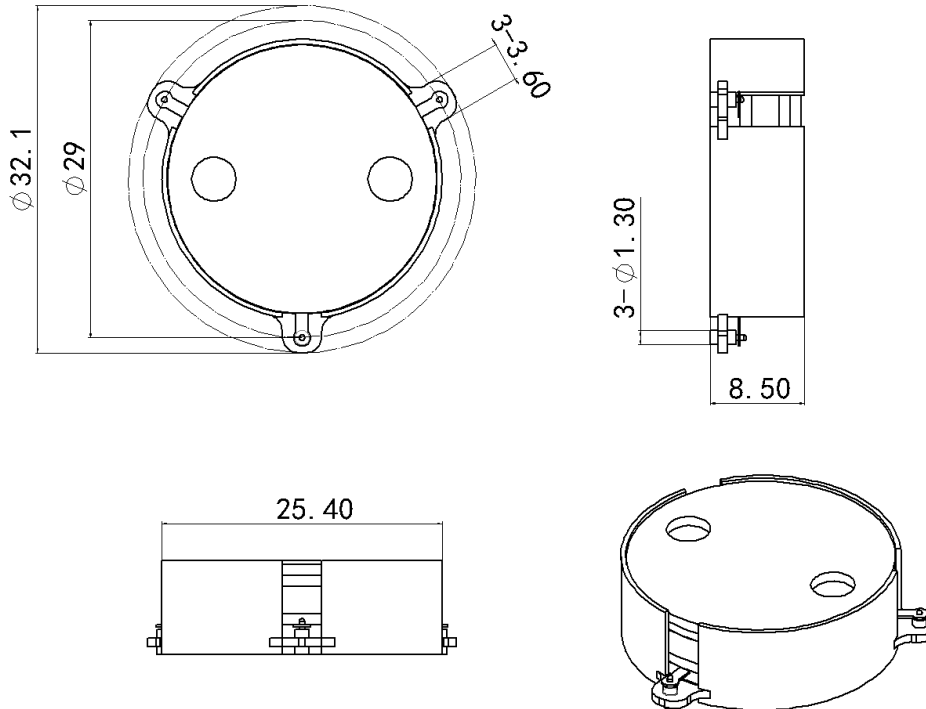
The product named OHYH101P is high-performance stripline surface mount circulator designed for telecommunication applications, offering high isolation and low insertion loss across its operating bandwidth.



### Technical indicators

Size Spec	Freq. (MHz)	Return Loss (dB)	Isolation (dB)	Insertion Loss (dB)	IMD3 (dBc)	Power (W)	Operating Temp (°C)
25.4mm	758-960	19	19	0.30	-60 (2*50W)	250	-40 ~ 125

### Mechanical Outline





## Performance Data

