



OHYH101P-960-1225



Features

- Stripline configuration
- Surface mount design
- High isolation
- Low insertion loss
- Wide frequency range coverage

Description

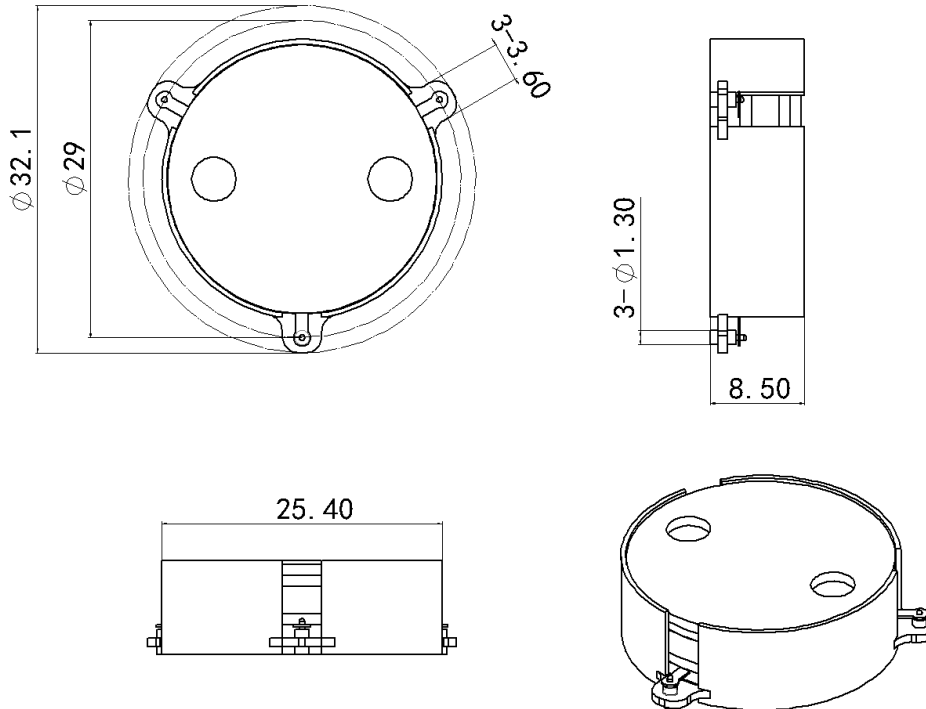
The product named OHYH101P is high-performance stripline surface mount circulator designed for telecommunication applications, offering high isolation and low insertion loss across its operating bandwidth.



Technical indicators

Size Spec	Freq. (MHz)	Return Loss (dB)	Isolation (dB)	Insertion Loss (dB)	IMD3 (dBc)	Power (W)	Operating Temp (°C)
25.4mm	960-1225	19	19	0.30	-60 (2*50W)	250	-40 ~ 125

Mechanical Outline





Performance Data

